

1

2

3

4

5

6

A

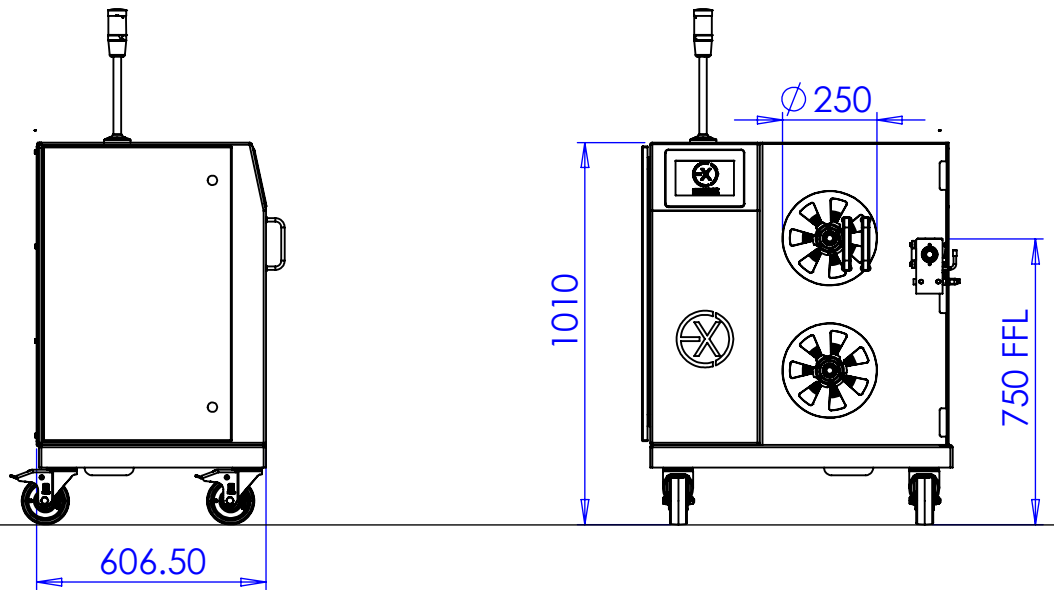
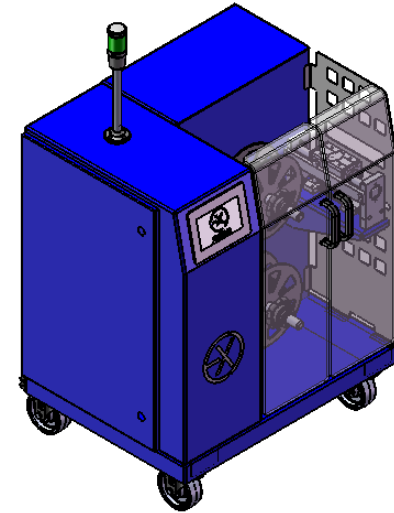
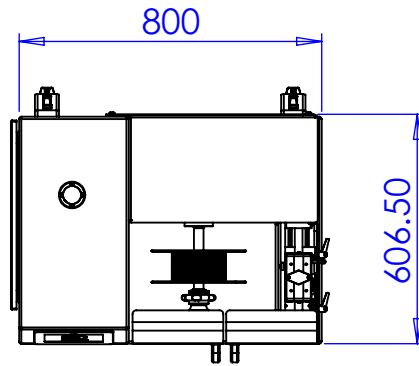
B

C

D

E

F



ISS	DATE	AUTHOR	DESCRIPTION	
A	21/08/2018	PW	New Drawing	
B				
C				
MATERIAL			UNITS - mm	SCALE -1:20
DESCRIPTION			QTY	
			FINISH	



This drawing is the property of Extrusion Developments Ltd & must not be shown to third parties or copied without written consent.

	<small>DO NOT SCALE PRINT IF IN DOUBT ASK</small>	<small>Unless otherwise specified: Dimensions without tolerances per ISO 2768 - m.K All Coaxial features concentric within 0.15mm</small>	<small>REV</small>
	<small>SHEET No</small> 1 of 1	<small>DRAWING No</small> WD-250 GA	<small>A4</small>